



Scan for video instructions

This elegant, versatile frame inspires many creative ways to display artwork.

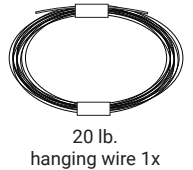
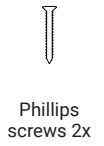
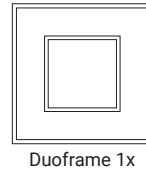
Instructions for the two most frequently used display methods are provided: Window Mount with the enclosed hardware and Float Mount.



Same frame, two different ways to display!

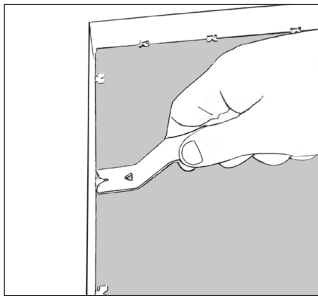
Includes:

- (1) Duoframe
- (16) Framing points
- (2) D-ring hangers
- (2) Phillips screws
- (1) Hanging hook
- (1) Nail for hanging hook
- (1) Bumper pad set
- (1) 20 lb hanging wire



WINDOW MOUNT INSTRUCTIONS

Attach artwork from the back of the frame with framing points for window display. Make sure your artwork is the same size as the frame and no deeper than 7/8".



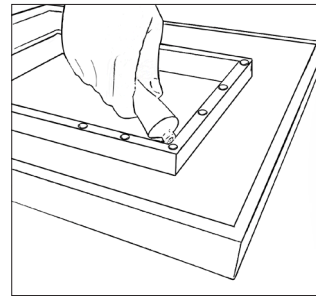
You will need the following:

- Framing points (included)
- Framing point driving tool (flathead screwdriver or putty knife will also work)

1. Turn the frame face-down onto a clean, sturdy surface.
2. Set artwork face-down into the window of the frame.
3. Position a framing point against the back of the artwork, with the sharp point facing the interior side of the frame window.
4. Use a framing point driving tool to push the framing point in flush with the frame's interior side.
5. Repeat this step so that there are framing points at each corner and two more on each side, for a total of 4 framing points on each of the four sides to secure artwork in the window.

FLOAT MOUNT INSTRUCTIONS

Attach artwork to the front window ledge of the frame using adhesive. Make sure your artwork is larger than the window of the frame and no deeper than 7/8". See chart on other side for float mount size guidelines.



Adhesive will be needed to secure the artwork to the front of the frame. 100% silicone adhesive is recommended because it is strong and can be removed later if needed. Other adhesive options may be preferred depending on the artwork's weight or size and desired permanence.

1. With the frame face-up, apply silicone adhesive in small "dots" every 1" - 1.5" around the raised perimeter of the frame's window.
2. Position the artwork face-up onto the raised area surrounding the window and apply gentle pressure so that the back of the artwork is in full contact with the ledge and the adhesive.
3. Use a ruler to center the artwork in the frame.
4. Allow the adhesive to cure according to the instructions on the product's packaging.

See other side for instructions on attaching the hanging hardware.



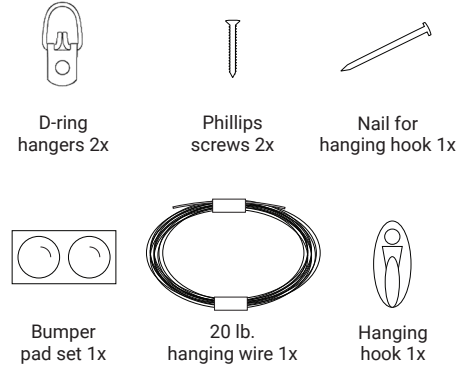
Scan for video instructions

ATTACHING THE HANGING HARDWARE

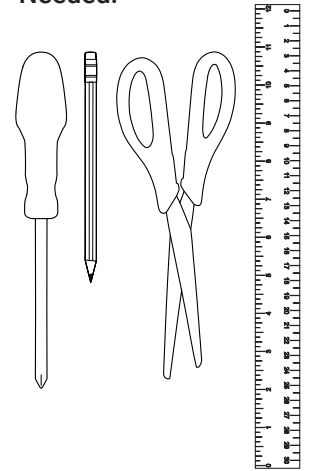
You will need the following:

- D-ring hangers (included)
- Phillips screws (included)
- Bumper pads (included)
- Hanging wire (included)
- Phillips head screwdriver
- Scissors (or wire cutters)
- Pencil
- Ruler

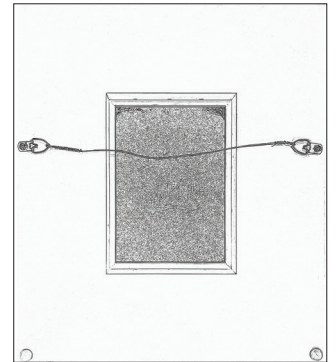
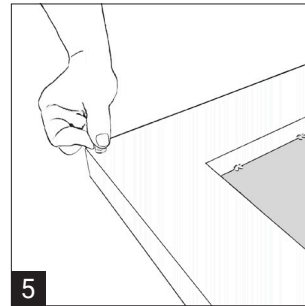
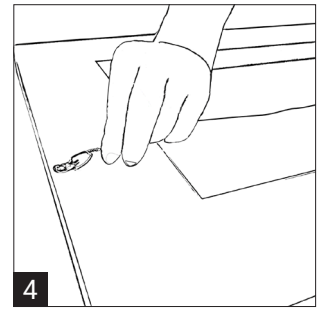
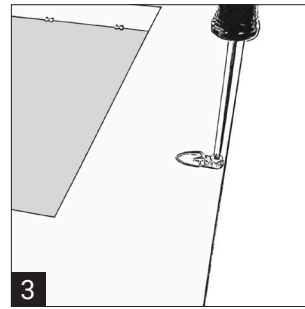
Included:



Needed:



1. Turn the frame face-down onto a clean, sturdy surface.
2. To position the hangers evenly, use a ruler to measure the position for the D-Rings (about 1/3rd down from the top and 1/4" in from the sides). Mark this position with a pencil.
3. Use a Phillips head screwdriver and the included screws to attach the D-ring hangers in place in the marked positions on the left and right sides of the frame.
NOTE: Do not use a drill with a Phillips head attachment for this step. This could split the wood.
4. Use scissors or wire cutters to trim the wire to 12" wider than the frame width. Insert the included hanging wire through the D-ring hangers and loop it through each hanger twice. Then, coil excess wire ends around the center wire.
5. Peel the backing off the included adhesive bumper pads and position them onto the back, and bottom corners of the frame. Use the included hook and nail to hang your artwork.



HOW TO CHOOSE A DUOFRAME:

- To window mount artwork, use a frame that is the same size as the artwork.
- To float mount, artwork must be larger than the frame size. Refer to the chart for maximum size of art to fit on the frame.

Frame Size	5x7	6x6	8x8	8x10	9x12	11x14	12x12
Window Mount	5x7	6x6	8x8	8x10	9x12	11x14	12x12
Float Mount	up to 11x13	up to 12x12	up to 14x14	up to 14x16	up to 15x18	up to 17x20	up to 18x18

See other side for instructions on framing the artwork.